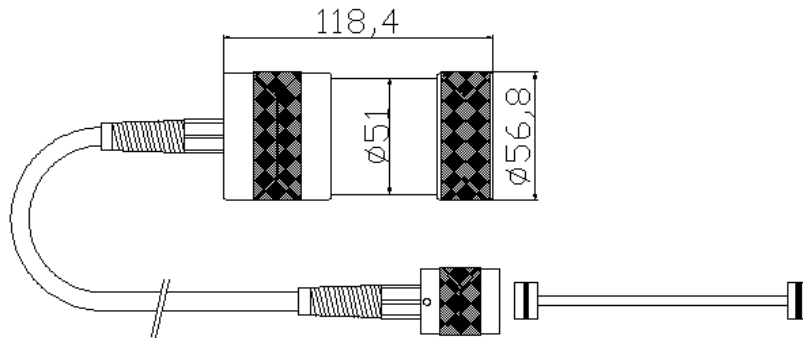


K15 Datasheet



Dimensions and weights

Diameters. Body: 51 mm; Tailcaps 56,8 mm.

Length. Body: 187 mm; Cable: 1300mm.

Weight. (w/o batteries) 394 gr; Battery Pack: 211 gr

Technical characteristics

Body. CNC machined from aeronautical Al-Si-Mg alloy.

Finishing. Hard anodized HA III, compliant with Mil-A-8625F (Type III).

Switching system. Turning tailcap that goes into U-15 clockwise to the point if lights up. Chrome treated contacts

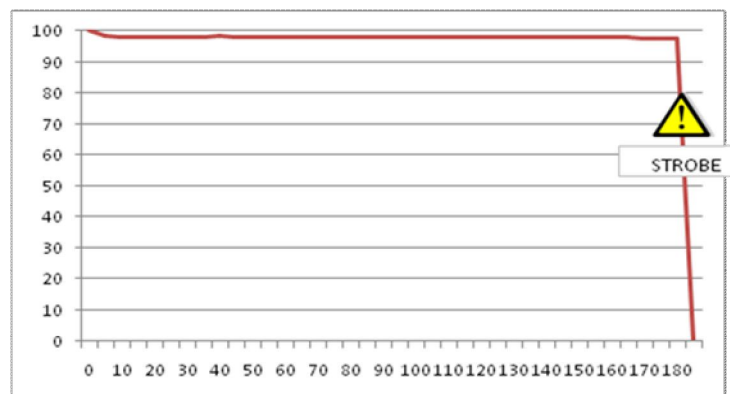
Water resistance. 200 m/600 ft - 20 ATM.

Impact resistance. Mil. Std 810-F- "Drop test"; EN 50102-IK10.

Runtime. Minimum 180 min (3 hour) maximum output (4°C Test). Then the flashlight starts strobe mode. The signal-tactical mode is visible up to 2000 m away.

Batteries. Li-ION Battery pack / CR123 primary cells.

Output vs Time Test(min). T=4°C



*Left column is percentage based on initial output.